

# Product Information



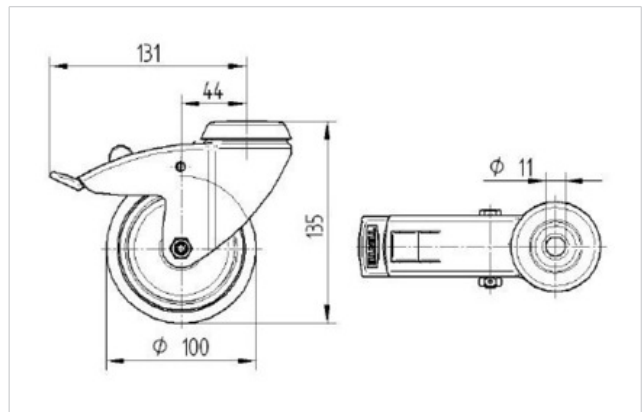
## 2477PJP100P30-11

EAN 4031582050448

Swivel castor with total lock, tail end of castor, housing made of pressed steel, bright zinc plated, blue passivated, double ball bearing swivel head, wheel axle with nut. Wheel centre made of Polypropylene, Tread: TENTEprene (thermoplastic rubber), grey non-marking, precision ball bearing, with threadguards, bolt hole  
 Castors can be mounted with standard screws; various length screws can be used.



| Technical Data         |                |
|------------------------|----------------|
| Wheel diameter         | 100 mm         |
| Width of Tread         | 32 mm          |
| Centre hole            | 11 mm          |
| Offset                 | 43.5 mm        |
| Swivel Interference    | 262 mm         |
| Overall height         | 135 mm         |
| Temperature            | - 20 / + 60 °C |
| Standard               | EN 12530       |
| Weight                 | 0.762 kg       |
| Load capacity          | 100 kg         |
| Load capacity (static) | 200 kg         |
| Swivel Radius          | 131 mm         |
| Hardness of tread      | A 87 Shore     |



|                      |   |   |   |   |   |
|----------------------|---|---|---|---|---|
| Roll performance     | + | + | + | + | + |
| Movement noise       | + | + | + | + | + |
| Attrition            | + | + | + | + | + |
| Corrosion resistance | + | + | + | + | + |

# Product Information



## 2477PJP100P30-11

EAN 4031582050448

