

Product Information



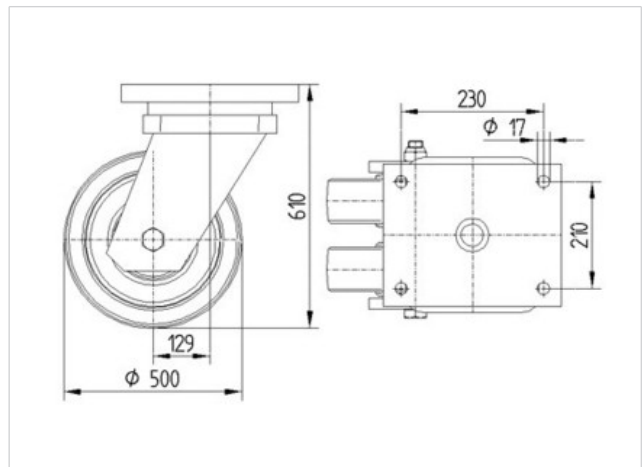
9950STP500P68

EAN 4031582316858

Swivel castor, housing and plate steel-welded, zinc plated, blue passivated, sealed swivel bearing with dual purpose bearing and tapered roller bearing, threaded king pin and locking nut secured, grease nipple, wheel axle with nut. Wheel centre made of pressed steel, lacquered, heavy duty, Tread: Polyurethane, casted, precision ball bearing, plate fitting



Technical Data	
Wheel diameter	500 mm
Width of Tread	80 mm
Size of Plate	270 x 250 mm
Plate hole centres	230 x 210 mm
Plate hole	17 mm
Offset	130 mm
Swivel Interference	760 mm
Overall height	610 mm
Temperature	- 20 / + 60 °C
Standard	EN 12533
Weight	124.963 kg
Load capacity	6000 kg
Load capacity (static)	12000 kg
Swivel Radius	380 mm
Hardness of tread	A 92 Shore



Roll performance	+	+	+	+	+
Movement noise	+	+	+	+	+
Attrition	+	+	+	+	+
Corrosion resistance	+	+	+	+	+



9950STP500P68

EAN 4031582316858

