

## LEVINA

### 5377PJP125P30-11

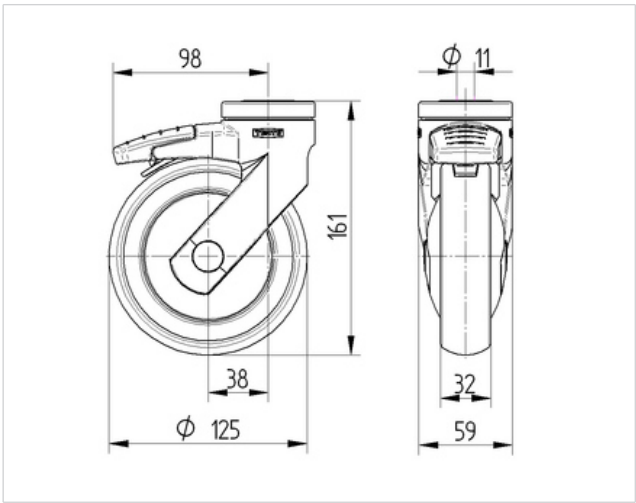
EAN 4031582368758

Swivel castor with total lock, tail end of castor, housing and wheels made from high grade synthetic materials, double ball bearing swivel head. Wheel centre made of Polypropylene, Tread: TENTEprene (thermoplastic rubber), grey non-marking, precision ball bearing, bolt hole

**Hint:** These castors are also with grey locking lever available.

Technical Data	
Wheel diameter	125 mm
Width of Tread	32 mm
Centre hole	11 mm
Offset	38 mm
Swivel Interference	201 mm
Overall height	161 mm
Temperature	- 10 / + 40 °C
Standard	EN 12530
Weight	0.574 kg
Load capacity	100 kg
Load capacity (static)	200 kg
Swivel Radius	100.5 mm
Hardness of tread	A 87 Shore

Roll performance	+	+	+	+	+
Movement noise	+	+	+	+	+
Attrition	+	+	+	+	+
Corrosion resistance	+	+	+	+	+



# Product Information



## LEVINA

### 5377PJP125P30-11

EAN 4031582368758

