

## 3648ITP200P63 Flat

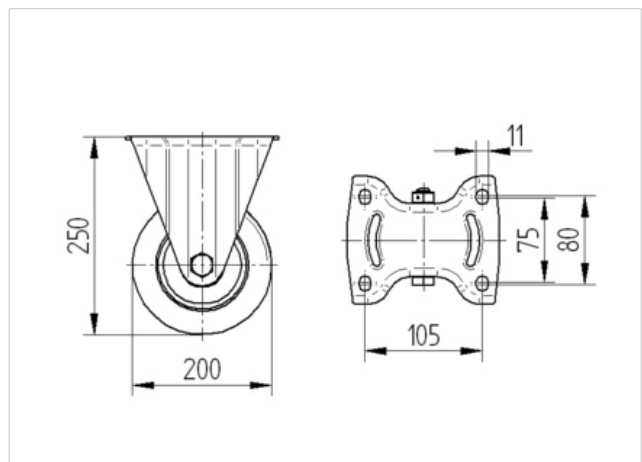
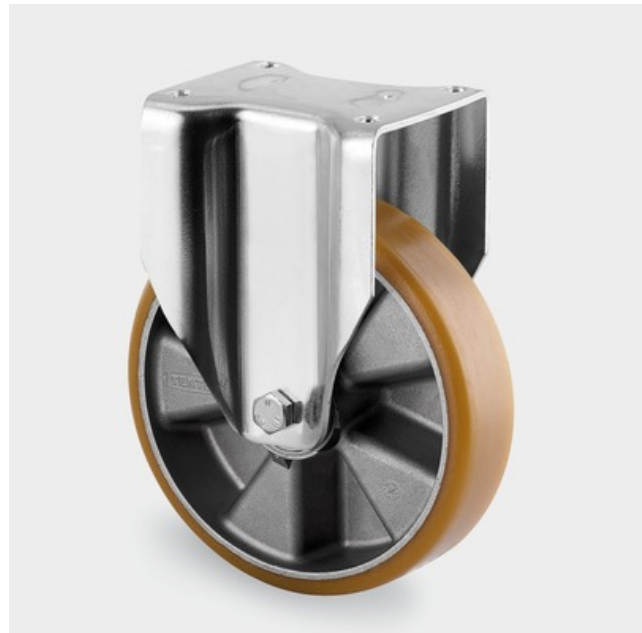
EAN 4031582337402

Fixed castor, Fork made of heavy pressed steel, bright zinc plated, blue passivated, wheel axle with nut, Wheel centre made of Aluminium, Tread: Polyurethane, casted, precision ball bearing, plate fitting

### Technical Data

Wheel diameter	200 mm
Width of Tread	50 mm
Size of Plate	140 x 110 mm
Plate hole centres	105 x 80/75 mm
Plate hole	11 mm
Overall height	250 mm
Temperature	- 20 / + 60 °C
Standard	EN 12532
Weight	2.934 kg
Load capacity	600 kg
Load capacity (static)	1200 kg
Hardness of tread	A 92 Shore

Roll performance	+	+	+	+	+
Movement noise	+	+	+	+	+
Attrition	+	+	+	+	+
Corrosion resistance	+	+	+	+	+





## 3648ITP200P63 Flat

EAN 4031582337402

