

Product Information



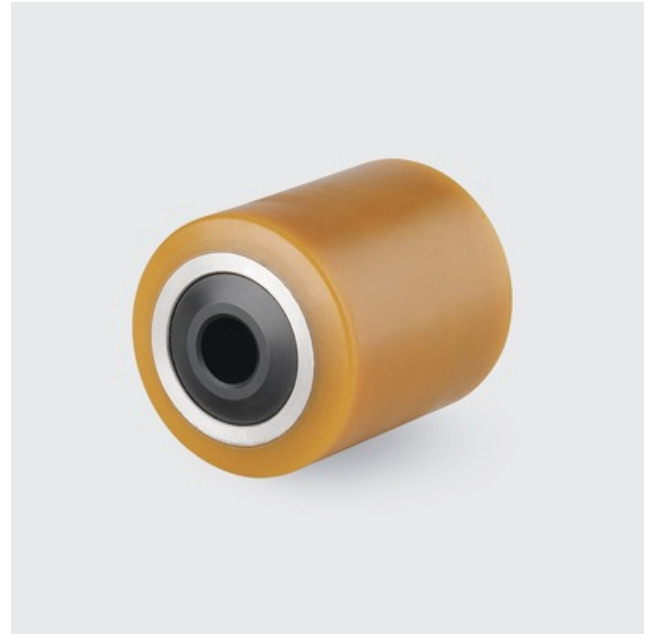
ETX080x95-Ø20 HL97-F

EAN 4031582346534

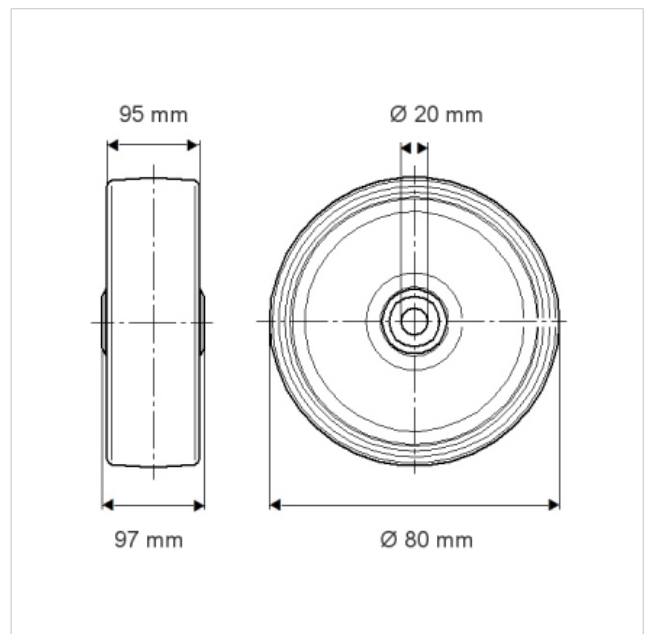
Wheel centre made of steel, tread made of Polyurethane, casted, precision ball bearing, sealed

Technical Data

| | |
|------------------------|----------------|
| Wheel diameter | 80 mm |
| Width of Tread | 95 mm |
| Axle Hole-Ø | 20 mm |
| Hub length | 97 mm |
| Temperature | - 20 / + 60 °C |
| Load capacity | 770 kg |
| Load capacity (static) | 1540 kg |
| Hardness of tread | A 92 Shore |
| Bearing type | 6006 2RS No. |



| | | | | | |
|----------------------|---|---|---|---|---|
| Roll performance | + | + | + | + | + |
| Movement noise | + | + | + | + | + |
| Attrition | + | + | + | + | + |
| Corrosion resistance | + | + | + | + | + |



Product Information



ETX080x95-Ø20 HL97-F

EAN 4031582346534

