

Product Information

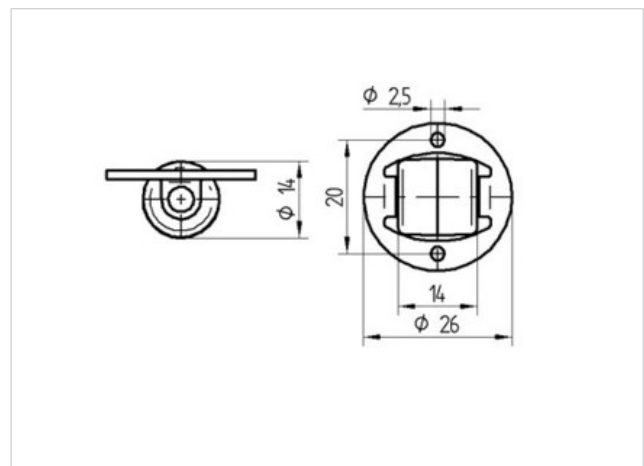
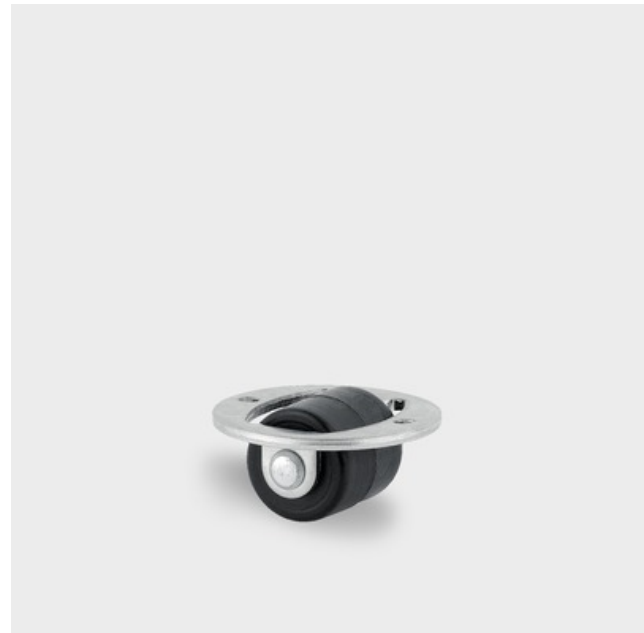


1298UOI014P80

EAN 4031582300024

Fixed castor, Fork made of pressed steel, bright zinc plated, blue passivated, axle riveted, Wheel centre made of Polyamide, plain bearing, Plate, round

| Technical Data | |
|------------------------|----------------|
| Wheel diameter | 14 mm |
| Width of Tread | 14 mm |
| Size of Plate | 26 mm |
| Plate hole centres | 20 mm |
| Plate hole | 2.5 mm |
| Overall height | 13.5 mm |
| Temperature | - 20 / + 60 °C |
| Standard | EN 12528 |
| Weight | 0.008 kg |
| Load capacity | 15 kg |
| Load capacity (static) | 30 kg |
| Hardness of tread | D 65 Shore |



| | | | | | |
|----------------------|---|---|---|---|---|
| Roll performance | + | + | + | + | + |
| Movement noise | + | + | + | + | + |
| Attrition | + | + | + | + | + |
| Corrosion resistance | + | + | + | + | + |